

MAGNETIC FLOAT LEVEL TRANSMITTER

INTRODUCTION

This versatile low cost level transmitter is reliable and can be configured for a wide range of liquid level applications where 6.35mm or 12.7mm resolution is acceptable.

Applications include:

- Water/waste water treatment
- Diesel/hydrocarbons
- Chemicals/aggressive liquids
- Oil storage facilities
- Rail/transportation
- Marine/shipping

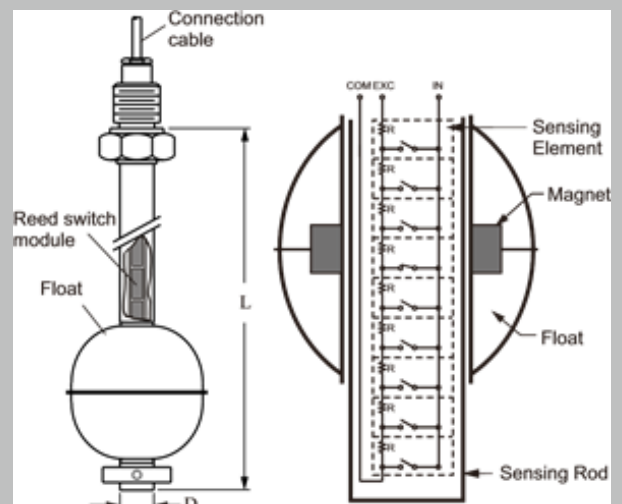


KEY BENEFITS

- Low cost
- Robust construction
- ATEX approved version
- Resistance or 4-20mA output
- Simple mechanical device
- Versatile construction materials

OPERATION

The AMS-IAC range of magnetic float operated level transmitters uses a chain of reed switches internally to create a resistance output when the float passes over them. This output changes relative to the floats position giving an indication of the fluids level.



SPECIFICATION

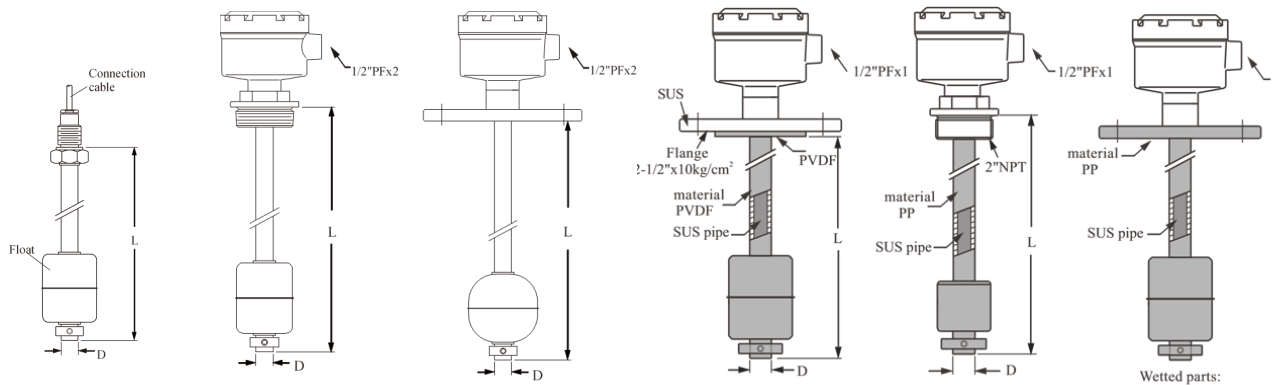
There are three standard versions of the FT Series transmitters, the economical, industrial and corrosive.

All versions have a standard measuring range of up to 6M (L). A 12M range can be achieved when specific options are chosen within the industrial Range. Please speak to your sales engineer for further information.

ECONOMICAL:
The lowest cost, with minimal options for basic applications. Resistance output only..

INDUSTRIAL:
More robust with a range of float material, connection and housing options, (including ATEX version). Head mounted 4-20mA transmitter output.

CORROSIVE:
Protected with PP or PVDF wetted parts for use with corrosive liquids. Available with plastic terminal housings. ATEX option available. Stem and flange wetted parts are coated stainless steel. Head mounted 4-20mA transmitter output.



SPECIFICATION	ECONOMICAL	INDUSTRIAL	CORROSIVE
MODEL	FLT1 Series	FLT2 Series	FLT3 Series
HOUSING MATERIAL	1M Silicon Cable	Aluminium; 304 St/St; 316 St/St	Aluminium; 304 St/St; 316/St/St; PP+Fiber
HOUSING IP RATING	N/A	IP65	IP65
CONNECTION TYPE	3/8"; 3/4" BSPP	2" -4" Screwed 1.5"-6" Flanged	2"-4" Screwed 1.5"-6" Flanged
CONNECTION & TUBE MATERIAL	304/316 St/St; PP; PVDF	304/316 St/St;	PP; PVDF
TUBE SIZE	14mm-17.2mm	14mm-17.2mm	16mm-17.2mm
LIQUID S.G.	>0.5 (Min); >0.65 (Std)	>0.45 (Min); >0.65 (Std)	>0.45 (Min); >0.65 (Std)
OPERATING TEMPERATURE (DEGREES C)	St/St Tube: -20 to +120 PVDF Tube: -20 to +120 PP Tube: -10 to +80	-20 to +120	PVDF Tube: -20 to +120 PP Tube: -10 to +80
AMB. TEMPERATURE	0 to 70 Deg C	0 to 70 Deg C	0 to 70 Deg C
OUTPUT OPTIONS	3 Wire Resistance	2 Wire 4-20mA	2 Wire 4-20mA
ATEX RATING	None	Ex d IIC T3-T6 (Option)	None