



SPECIFICATION // DATA SHEET

WATER DRAIN VALVE

Introduction

The Water Drain Valve was developed for a major oil company to detect the presence of fuel when discharging water through the drain line of a fuel storage tank.

Its float operation ensures that when you drain water built up in a tank (caused by rain or condensation) the density change from water to fuel is detected causing the valve to close, saving valuable medium from being

wasted and preventing any damage to the environment through contaminated water discharge.

Mechanical in operation with only one moving part the Water Drain Valve design enables easy installation with low maintenance costs. The hydraulic design is such that it is unaffected by flow but very rapid in response to density change.

The float profile ensures that when the density change occurs, a liquid tight seal is created against the valve seat.

Both the cast and fabricated versions of the valve are supplied with a manual test facility to enable regular checking of the valves operation.

Key Benefits

- » Mechanically operated
- » Easy to install
- » Low maintenance requirements
- » Environmental protection
- » Prevents pollution
- » Reduces wastage of valuable stock
- » Heavy duty for durability
- » Customisable to suit application requirements
- » Manual test facility
- » Rapid response to density change

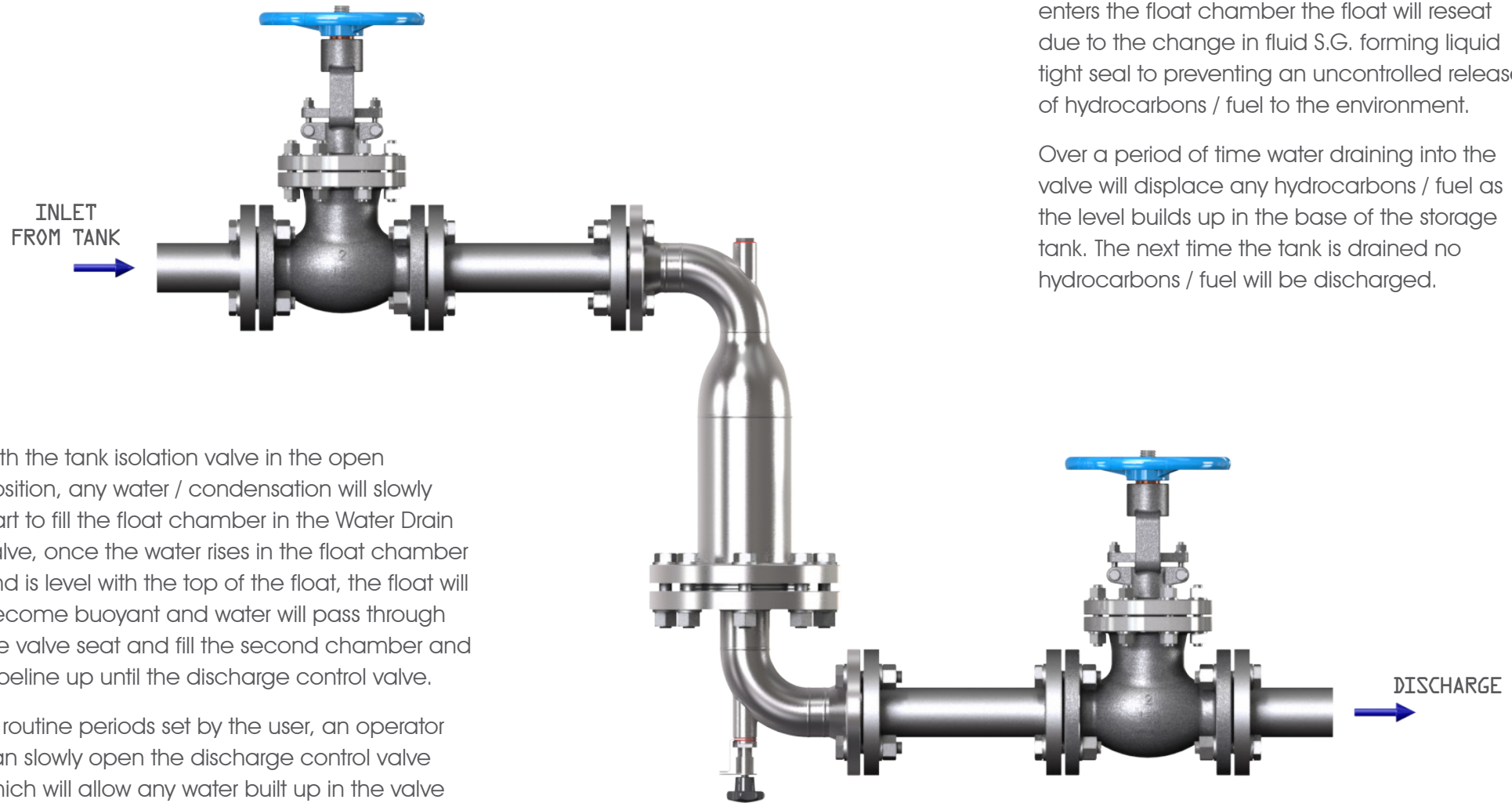


CAST VERSION



FABRICATED VERSION

Operation



With the tank isolation valve in the open position, any water / condensation will slowly start to fill the float chamber in the Water Drain Valve, once the water rises in the float chamber and is level with the top of the float, the float will become buoyant and water will pass through the valve seat and fill the second chamber and pipeline up until the discharge control valve.

At routine periods set by the user, an operator can slowly open the discharge control valve which will allow any water built up in the valve to be drained, when the flow of water stops the discharge control valve can be closed.

If during the draining stage hydrocarbons / fuel enters the float chamber the float will reseal due to the change in fluid S.G. forming liquid tight seal to preventing an uncontrolled release of hydrocarbons / fuel to the environment.

Over a period of time water draining into the valve will displace any hydrocarbons / fuel as the level builds up in the base of the storage tank. The next time the tank is drained no hydrocarbons / fuel will be discharged.

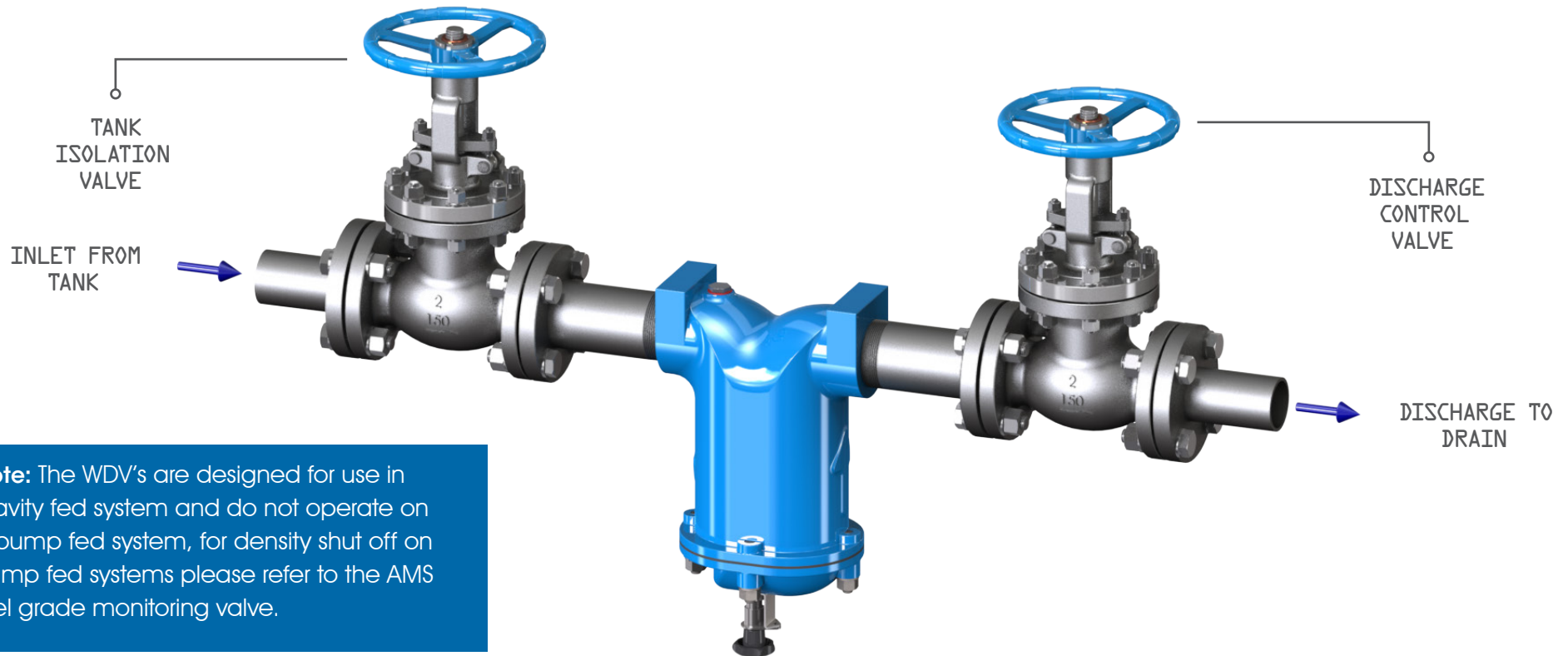
FABRICATED VERSION

Installation

The Water Drain Valve should be installed in the storage tank drain line, close to the tank outlet.

The valve should be situated after a storage tank isolation valve and before a discharge

control valve. There is no minimum distance required between the isolation and control valve and the Water Drain Valve inlet and outlet; however AMS would recommend a distance of at least 200mm.



Note: The WDV's are designed for use in gravity fed system and do not operate on a pump fed system, for density shut off on pump fed systems please refer to the AMS fuel grade monitoring valve.

SUGGESTED INSTALLATION FOR THE CAST WATER DRAIN VALVE WITH SCREWED CONNECTION
(OPTIONAL FLANGED VERSION ALSO AVAILABLE)

Specification

	Cast Versions	2" Fabricated Version	4" Fabricated Version
Part No:	WDV-SV2050 / WDV-SV2056	WDV-SV2107	WDV-SV596
Body Material:	Aluminium Alloy or 316 Stainless Steel	316L Stainless Steel / Carbon Steel	316L Stainless Steel / Carbon Steel
Float Material:	Polypropylene	Polypropylene	Polypropylene
Seal Materials:	Viton / Klingersill	Viton / Klingersill	Viton / Klingersill
Std Process Connections:	Screwed connections 2.5" BSPP or 2" NPT Flanged Connections 2" or 3" ANSI/ASME 150lb or 300lb*	Flanged 2" ANSI/ASME 150lb. RF	Flanged 4" ANSI/ASME 150lb. RF
Max Flow Rate:	300 Ltrs/Min	300 Ltrs/Min	1250 Ltrs/Min
Max Line Pressure:	10 Bar	10 Bar	15 Bar
Temperature Rating:	-18 to 200°C	-18 to 200°C	-18 to 200°C
Weight:	10 Kgs	35 Kgs	70 Kgs

*Other flange sizes/ratings available on request.

Maximum medium specific gravity (S.G) with the standard float is 0.92; the float will close in all mediums with an S.G below this value.

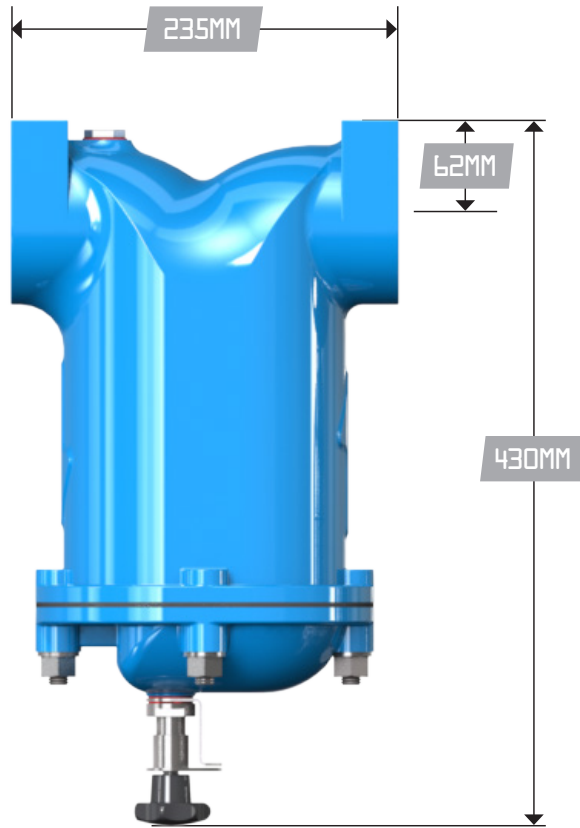
When the line medium freezes the valve will return to operation once the medium has thawed. Although Viton seals have a brittle point of -45°C and can operate satisfactorily at temperatures approaching this, it is recommended that they are replaced if subjected to temperatures below -18°C before the valve returns to operation.

AMS specialise in custom made instrumentation & valve products and as such offer a wide range of documentation options and where possible, will amend standard features to meet customer specific requirements.

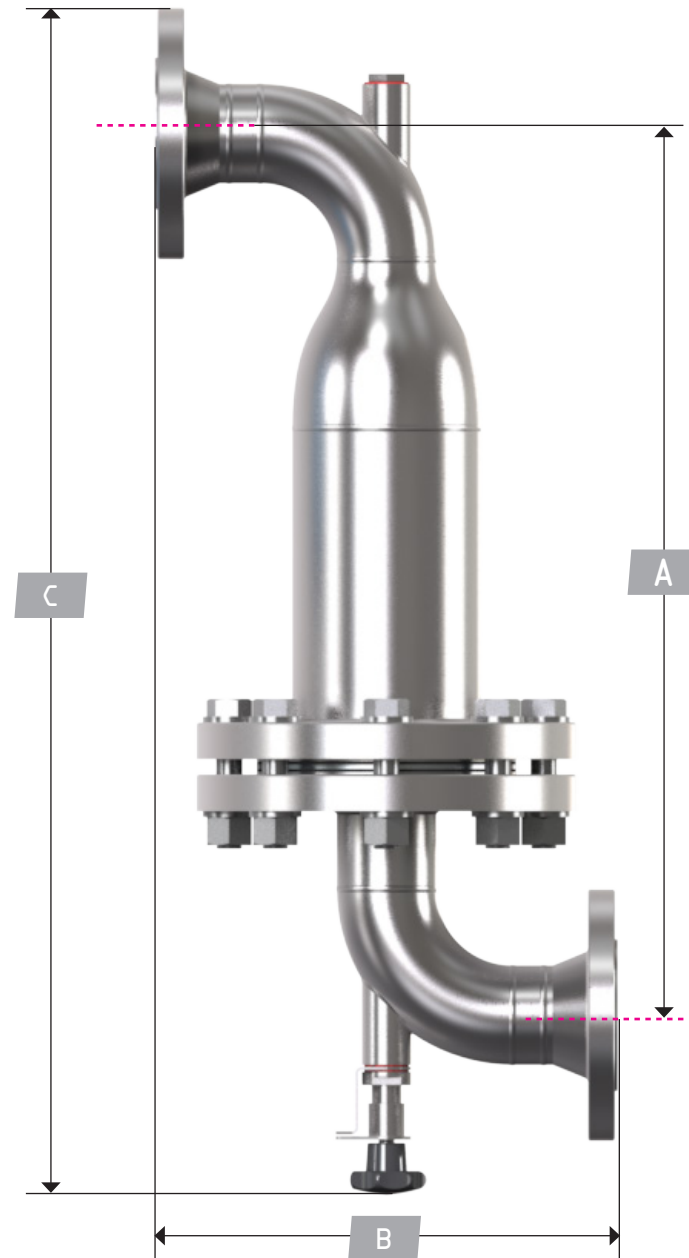
A version of this valve can also be used to detect the difference between two fuels to ensure the correct product is being emptied into storage tanks, see our Density Sensitive Valve for more information.

Dimensions

	A	B	C
WDV-SV2107 (2")	516mm	280mm	668mm
WDV-SV596 (4")	810mm	458mm	1089mm



CAST VERSION



FABRICATED VERSION

Ordering Information

Part Number Selection

	XXXX-	XX-	X-	X-	XX
Base model					
4" Fabricated version	SV596				
2" Fabricated version	SV2017				
2" NPT cast version	SV2056				
2" BSPP cast version	SV2050				
Body material					
Aluminium Alloy (Cast) Grade: Lm 25M		AC			
Stainless Steel (cast) grade: bs3100 316 c16		SC			
Stainless Steel (fabricated) grade: 316ss		SF			
Carbon steel (fabricated) grade: ASTM A106 (Body) / ASTM A234 (Elbows & Reducers)		CF			
Flange material					
316 Stainless steel grade: astm a182 f316			S		
Carbon Steel grade: astm a105			C		
No Flange			0		
Flange size					
2"				2	
3"					3
4"					4
Others (special)					X
Flange rating					
150lb ansi/asme b16.5					15
300lb ansi/asme b16.5					30
Others (special)					X

Paint Specification

The Cast Aluminium and Fabricated Carbon Steel Water Drain Valves are supplied painted with Amercoat 385 Multi-Purpose Epoxy (+120 Deg C Max), AMS Blue Colour (RAL 5005) as standard. AMS can supply the Water Drain Valves painted to suit individual customer paint requirements, please specify at time of enquiry.

Spares

- MSK-SV596** Maintenance Spares Kit for SV596, includes
1 x gasket for body/cover, 1 x SV384 Plunger Assembly
and 1 x SV404 Float
- MSK-SV2107** Maintenance Spares Kit for SV2107, includes 2 x gasket
for body/cover, 1 x SV471 Plunger Assembly and
1 x SV375 Float
- MSK-SV2056** Maintenance Spares Kit for SV2056, includes 1 x gasket for
body/cover, 1 x SV364 Plunger Assembly and 1 x SV375 Float
- MSK-SV2050** Maintenance Spares Kit for SV2050, includes 1 x gasket for
body/cover, 1 x SV364 Plunger Assembly and 1 x SV375 Float
- SV399** Float Guide Assembly (SV596)
- SV2070** Float Guide Assembly (SV2107)
- SV273** Float Guide Assembly (SV2050/SV2056)

Documentation and Testing

AMS can supply the Water Drain Valves with documentation to suit individual customer requirements, these documents include but not limited to:

- » Material Certification EN 10204-3.1
- » Hydrostatic Pressure Test Certificates
- » Weld Procedures
- » Welder Qualifications
- » Certificate of Conformity
- » PED
- » Installation, Operation and Maintenance Manual etc
- » Non-destructive Testing
- » Material Analysis
- » Special Tagging
- » Inspection and Test Plans

In addition to the above AMS can also provide:

- » **Accessories:**

AMS offer a range of accessories for use in conjunction with the Valves, such as Gaskets, nuts/bolts and fittings.

- » **Instrumentation:**

AMS offer a range of process instrumentation and valves to cover a wide variety of process measurement applications.



AM Sensors Ltd,
Chedzoy Lane, Chedzoy,
Bridgwater, Somerset
TA7 8QS

† +44 (0)1278 444 650
f +44 (0)1278 434 449
e info@amsensors.com
www.amsensors.com

AM SENSORS LTD (AMS) RESERVE THE RIGHT TO MAKE TECHNICAL CHANGES OR MODIFY THE CONTENTS OF THIS DOCUMENT WITHOUT PRIOR NOTICE.
AMS DOES NOT ACCEPT ANY RESPONSIBILITY WHATSOEVER FOR POTENTIAL ERRORS OR POSSIBLE LACK OF INFORMATION IN THIS DOCUMENT.
AMS RESERVE ALL RIGHTS IN THIS DOCUMENT AND IN THE SUBJECT MATTER AND ILLUSTRATIONS CONTAINED THEREIN.
ANY REPRODUCTION, DISCLOSURE TO THIRD PARTIES OR UTILIZATION OF ITS CONTENTS - IN WHOLE OR IN PARTS – IS FORBIDDEN WITHOUT PRIOR WRITTEN CONSENT OF AMS.